

# MOUNTS

## Anti-Vibration and Precision Leveling

### WM-Series

The Sunnex WM-Series wedge style mount is designed for applications requiring passive damping and installation of high load equipment. The WM-Series also incorporates a high-precision leveling system for easy height adjustment.

The WMB-Series wedge style mount is more suitable for installation on machines subject to large horizontal or vertical forces. The bolt-on wedge mount provides a secure and reliable bolt connection between the mount and the machine.

The WMT-Series wedge style mount is more suitable for complex machine arrangements and applications. The bolt-through wedge mount securely anchors the machine to the foundation allowing a "push/pull" machine alignment process.



### Advantages

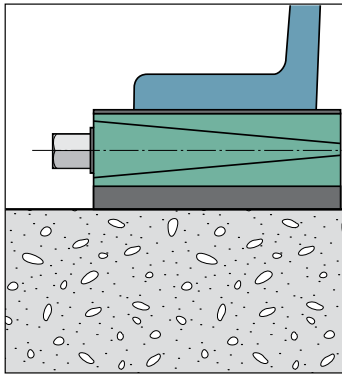
- Precise leveling
- Reliable and secure bolt connection to machine
- Flexible height adjustment
- Extremely secure fastening bolts which allow anchoring to the floor

### Free standing, WM

Wedge Mounts	Item No.	Load (lbs)	Adjust., A in (+/-)	Wrench	Height, h Nom. in)	Length, L in	Width, w in
WM 10	47004	3,300	0.16	13mm	1.57	4.13	2.17
WM 10-14	47074	1,100	0.16	13mm	2.09	4.13	2.17
WM 20	47007	7,700	0.20	19mm	1.61	5.91	2.95
WM 20-14	47070	2,860	0.20	19mm	2.13	5.91	2.95
WM 30	47010	12,540	0.24	22mm	1.77	7.87	3.75
WM 30-14	47065	4,840	0.24	22mm	2.36	7.87	3.75
WM 40	47016	26,400	0.24	22mm	1.93	7.87	7.87
WM 40-14	47067	8,800	0.24	22mm	2.44	7.87	7.87

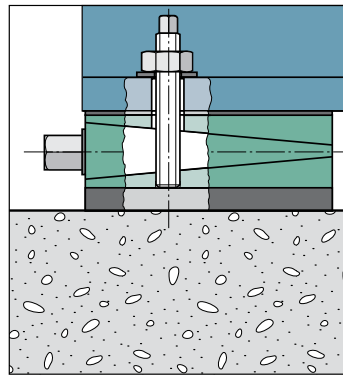
Free-standing WM-Series mounts available in models 10, 20, 30 and 40. For bolt-on mounts add B to models 25 and 40. For bolt-through mounts add T to models 25 and 40.

### WM-Series (Free-standing)



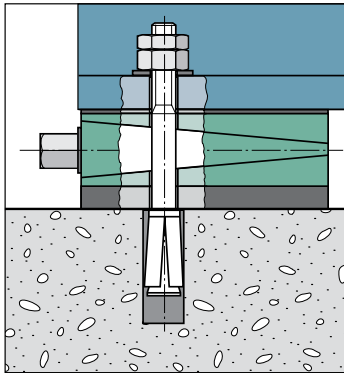
(10, 20, 30, 40)

### WMB-Series (Bolt-on)

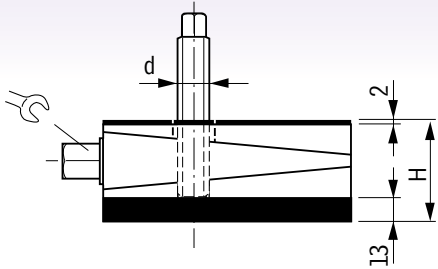
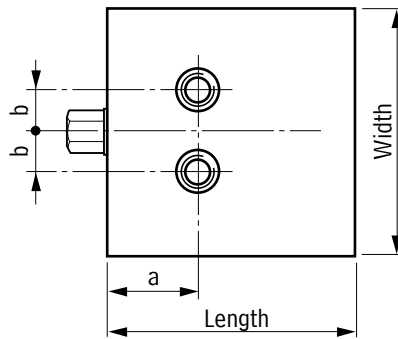


(25, 40)

### WMT-Series (Bolt-thru)



(25, 40)



## Applications

- Injection Molding Machines (small to mid-sized)
- Pad Printers
- Machine Tools
- Presses
- Stamping Machines
- General Multi-Purpose Machines with Long Beds

### Bolt on, WMB

Wedge Mounts	Item No.	Load (lbs)	Adjust., A in (+/-)	Wrench	Height, h Nom. (in)	Length, L in	Width, w in
WMB 25	47024	12,540	0.24	22mm	2.01	5.91	5.91
WMB 25-14	47052	4,840	0.24	22mm	2.52	5.91	5.91
WMB 40	47100	26,400	0.24	22mm	1.93	7.87	7.87
WMB 40-14	47101	8,800	0.24	22mm	2.44	7.87	7.87

a in	b in	d Thread
2.36	0.91	M18
2.36	0.91	M18
2.95	1.06	M20-2.5
2.95	1.06	M20-2.5

### Bolt thru, WMT

Wedge Mounts	Item No.	Load (lbs)	Adjust., A in (+/-)	Wrench	Height, h Nom. (in)	Length, L in	Width, w in
WMT 25	47073	12,540	0.24	22mm	2.01	5.91	5.91
WMT 25-14	47072	4,840	0.24	22mm	2.52	5.91	5.91
WMT 40	47022	26,400	0.24	22mm	1.93	7.87	7.87
WMT 40-14	47071	8,800	0.24	22mm	2.44	7.87	7.87

a in	b in	d Hole
2.36	0.91	22
2.36	0.91	22
2.95	1.06	22
2.95	1.06	22

See our Online Specifications:  
[www.sunnexmounts.com/mounts/WM.htm](http://www.sunnexmounts.com/mounts/WM.htm)