

TYPE KJ

This high load capacity model has 2 fixing holes, and admits up to 8° slopes on floors and equipment.

Smoothly rounded design for ease of cleaning.

Also available with anti-slip rubber.

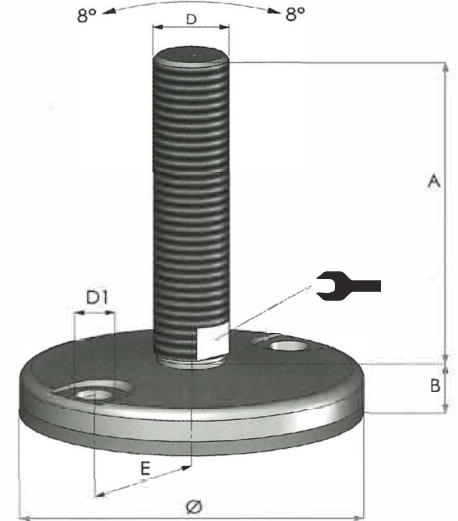


Ordering example:


KJ90 - 5/8" - 4"



Foot plate				
	KJ 90	KJ 110	KJ 150	KJ 180
Diameter Ø	3.54"	4.33"	5.91"	7.09"
Height B with rubber	0.87"	0.87"	0.98"	0.98"
Height B w/o. rubber	0.67"	0.67"	0.79"	0.79"
Length E	1.26"	1.73"	2.44"	2.91"
Hole diameter D1	1/2"	1/2"	5/8"	5/8"
Nom. load	70.000 N	70.000 N	120.000 N	120.000 N



Foot plate and thread can be combined freely.

Thread						
Length A*	D 1/2"UNC	D 5/8"UNC	D 3/4"UNC	D 7/8"UNC	D 1"UNC	D 1 1/4"UNC
4"	4,45	5,90	8,16	10,39	14,65	20,44
6"	5,07	7,03	10,06	13,42	18,70	25,06
8"	5,43	7,98	11,52	15,26	22,10	29,98
10"	6,10	9,11	13,41	17,34	26,58	37,40
	3/8"	1/2"	9/16"	5/8"	3/4"	1"

* For exact A-dimensions, please see chapter 10.2