



# TYPE H HYGIENIC

The machine foot is USDA certified and is consequently approved for demanding sanitary applications.

Its design is ultrahygienic and easy to clean, and the transition between foot plate and thread is covered.

The sleeve covers the thread and also functions as a nut.  
The machine foot admits slopes up to 10° of floors and equipment.



## Foot plate

	H 60	H 80	H 100	H 120	H 140
Diameter Ø	2,36"	3,15"	3,94"	4,72"	5,51"
Height B	0,98"	1,02"	1,18"	1,38"	1,46"
Nom. load	7.000 N	15.000 N	20.000 N	30.000 N	40.000 N

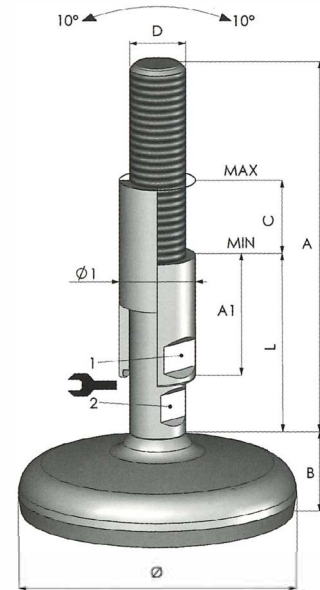
## Thread

Item no.	Thread D	Length A	Length L	
3A 580651	5/8"	6.5"	3.54"	1/2"
3A 580851	5/8"	8.5"	4.56"	1/2"
3A 340651	3/4"	6.5"	3.54"	9/16"
3A 340851	3/4"	8.5"	4.56"	9/16"
3A 100651	1"	6.5"	3.54"	3/4"
3A 100851	1"	8.5"	4.56"	3/4"
3A 114651	1 1/4"	6.5"	3.54"	1"
3A 114851	1 1/4"	8.5"	4.56"	1"

## Sleeve

Item no.	Thread D	Diameter Ø1	Length A1	Length C	
RHO 580025	5/8"	0.96"	2.5"	1.91"	3/4"
RHO 580035	5/8"	0.96"	3.5"	2.91"	3/4"
RHO 340025	3/4"	1.17"	2.5"	1.91"	1"
RHO 340035	3/4"	1.17"	3.5"	2.91"	1"
RHO 100025	1"	1.29"	2.5"	1.91"	1 1/8"
RHO 100035	1"	1.29"	3.5"	2.91"	1 1/8"
RHO 114025	1 1/4"	1.55"	2.5"	1.75"	1 3/8"
RHO 114035	1 1/4"	1.55"	3.5"	2.75"	1 3/8"

2.1



Ordering example:

H80 - 3A580651 - RHO580025

